



# PENKO Engineering BV

The Leading Experts In Weighing & Dosing

2kg-15kg **1030**

## Low Profile Single-Point Load Cell

### FEATURES

- Capacities: 2–15 kg
- Aluminum construction
- Single-point 350 x 350 mm platform
- OIML R60
- IP65 protection
- Available with UNC threads
- **Optional**
  - FM approval available
  - IP67 protection available



### APPLICATIONS

- Bench scales
- Counting scales
- Grocery scales

### DESCRIPTION

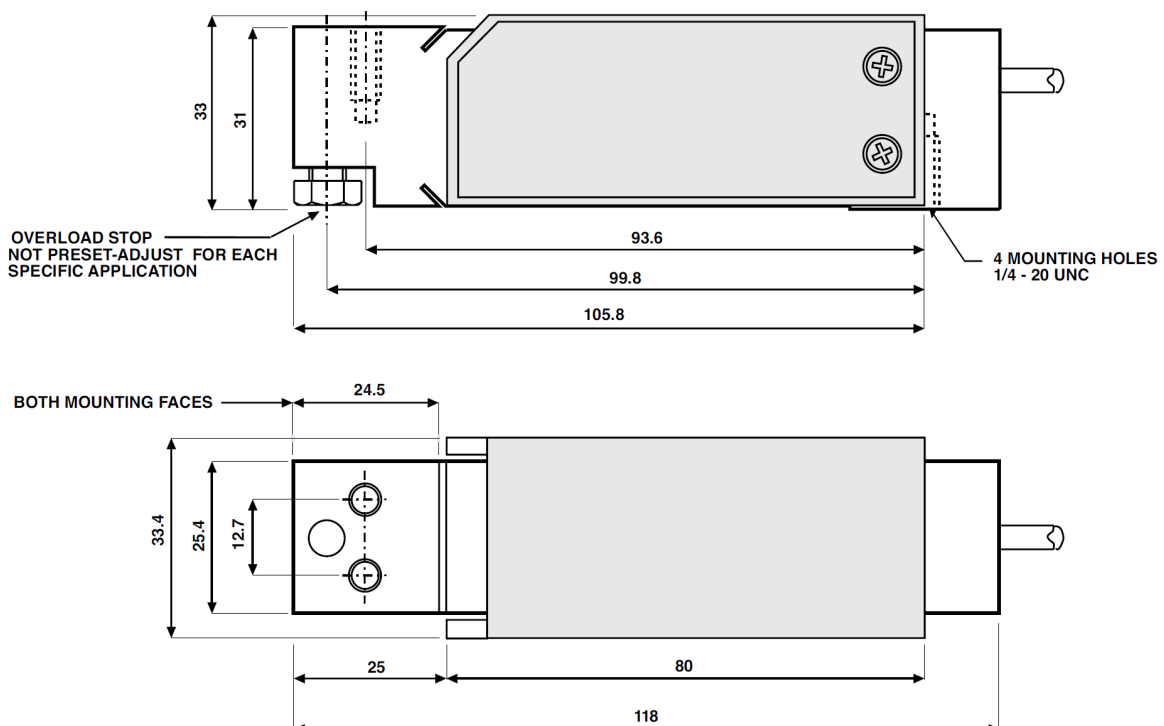
Model 1030 is a single-point load cell designed for direct mounting of low cost, low capacity weighing platforms.

Its use in relatively large platforms, combined with high accuracy and low cost, makes this load cell ideally suited for a wide range of weighing applications, including bench scales, laboratory, money counting and process weighing.

A special humidity resistant protective coating is available as an option which assures long-term reliability. Model 1030's built in overload stop can provide mechanical protection against overloading.

The two additional sense wires feed back the voltage reaching the load cell. Complete compensation of changes in lead resistance due to temperature change and/or cable extension, is achieved by feeding this voltage into the appropriate electronics.

### OUTLINE DIMENSIONS in millimeters



SPECIFICATIONS			
PARAMETER	VALUE <sup>(1)</sup>		UNIT
OIML accuracy class	Non-Approved	C2.5	
Maximum no. of intervals (n)	1000	2500	
$Y = E_{max}/V_{min}$	3333	7000	
Rated output—R.C. ( $E_{max}$ )	2 <sup>(2)</sup> , 3, 5, 7, 10, 15		kg
Rated output—R.O.	2.0		mV/V
Rated output tolerance	0.2		±mV/V
Zero balance	0.2		±mV/V
Zero return, 30 min.	0.0500	0.0170	±% of applied load
Total error	0.0300	0.0200	±% of rated output
Temperature effect on zero	0.0100	0.0040	±% of rated output/°C
Temperature effect on output	0.0030	0.0010	±% of applied load/°C
Eccentric loading error	0.0085	0.0057	±% of rated load/cm
Temp. range, compensated	-10 to +40		°C
Temp. range, safe	-30 to +70		°C
Maximum safe central overload	150		% of R.C.
Ultimate central overload	300		% of R.C.
Excitation, recommended	10		VDC or VAC RMS
Excitation, maximum	15		VDC or VAC RMS
Input impedance	415±15		Ω
Output impedance	350±3		Ω
Insulation resistance	>5000		MΩ
Cable length	1.0		m
Cable type	4 wire, PVC, single floating screen		Standard
Construction	Anodized aluminum		
Environmental protection	IP65 <sup>(3)</sup>		
Platform size (max)	350 x 350		mm
Recommended torque	7.0		N*m

<sup>(1)</sup> 1030 is a non-balanced bridge load cell

<sup>(2)</sup> 2 kg is not OIML approved

<sup>(3)</sup> IP67 available upon request

All specifications subject to change without notice.

## WIRING SCHEMATIC DIAGRAM (Unbalanced bridge configuration)

