



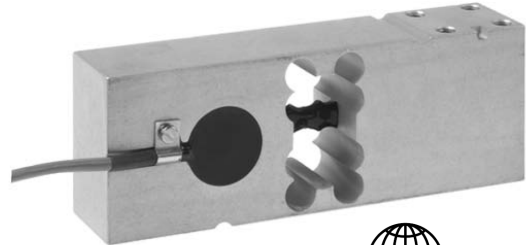
PENKO Engineering BV

The Leading Experts In Weighing & Dosing

100kg-660kg **1265**

FEATURES

- Capacity range: 100–660 kg
- Rigid, anodized aluminum construction
- OIML approved to C6 (150–660 kg)
- Single-point 800 x 800 mm platform
- Minimal deflection and high natural frequency
- Sealed to IP66
- **Optional**
 - 2G EEx ia IIC T4 - ATEX hazardous area approval
 - UNC threads



APPLICATIONS

- Platform scales
- Bag fillers
- Check weighers
- Overhead track scales
- Process weighing

DESCRIPTION

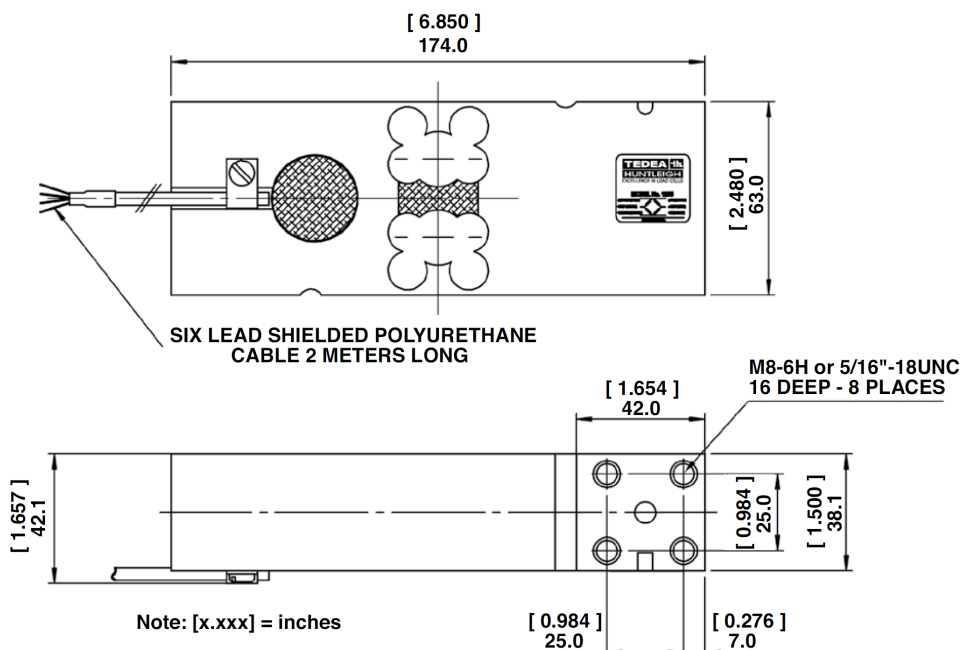
Model 1265 is an anodized aluminum single-point load cell suitable for direct mounting with large platforms, check weighers, and a wide range of other applications.

A unique rigid design allows for low deflection and high natural frequency, making the 1265 suitable for dynamic applications such as check weighers.

This load cell supports large platforms up to 800 x 800 mm. High accuracy (6000d) is maintained for overall characteristics (OIML R60) and for eccentric loading (OIML R76).

A humidity-resistant protective coating assures stable operation in damp environments over the entire compensated range and conforms to IP66 (IEC 60529). The six-wire cable includes two sense wires that compensate for changes in lead resistance due to temperature changes and cable extension.

OUTLINE DIMENSIONS in millimeters



SPECIFICATIONS				
PARAMETER	VALUE			UNIT
Rated capacity—R.C. (E _{max})	100, 150, 200, 250, 300, 500, 600, 635, 660			kg
NTEP/OIML accuracy class	Non-Approved	C3*	C6**	
Maximum no. of intervals (n)	1000	3000	6000	
Y = E _{max} /V _{min}	2000	15000	15000	Maximum available
Rated output—R.O.	2.0			mV/V
Rated output tolerance	0.2			± mV/V
Zero balance	0.2			± mV/V
Zero return, 30 min.	0.0300	0.0170	0.0083	±% of applied load
Total error	0.0500	0.0200	0.0100	±% of rated output
Temperature effect on zero	0.0100	0.0023	0.0024	±% of rated output/°C
Temperature effect on output	0.0030	0.0010	0.00058	±% of applied load/°C
Eccentric loading error	0.0070	0.0025	0.0012	±% of rated load/cm
Temperature range, compensated	-10 to +40			°C
Temperature range, safe	-30 to +70			°C
Maximum safe central overload	150			% of R.C.
Ultimate central overload	300			% of R.C.
Excitation, recommended	10			VDC or VAC RMS
Excitation, maximum	15			VDC or VAC RMS
Input impedance	415±15			Ω
Output impedance	350±5			Ω
Insulation resistance	>2000			MΩ
Cable length	2			m
Cable type	6-wire, PVC, single floating screen			Standard
Construction	Plated (anodized) aluminum			
Environmental protection	IP66			
Platform size (max)	800 x 800			mm
Recommended torque	Up to 300 kg: 25.0 Above 300 kg: 30.0			N*m

Notes

* 50% utilization

** 60% utilization, and for capacities 150 kg and up

All specifications subject to change without notice.

Wiring Schematic Diagram (Balanced bridge temperature compensation)

